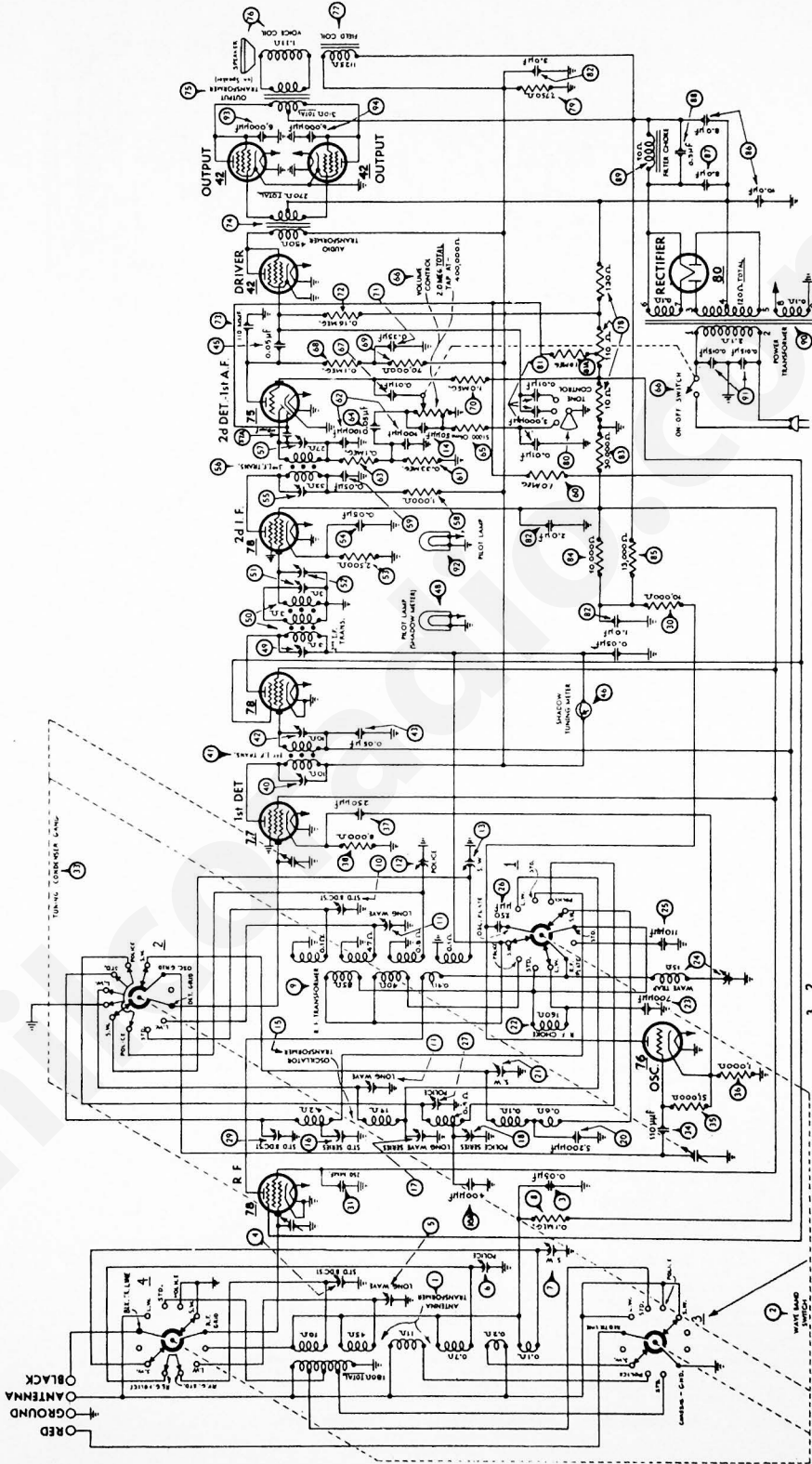


MODEL 665



NUMBERS INDICATE RELATIVE POSITIONS OF SWITCH-SECTIONS 40 0-0-1 ALL SWITCH-SECTIONS SHOWN IN POSITION NO. 1

